



BOONER BLINDS

BY  MAVERICK®

ASSEMBLY INSTRUCTIONS

BOONER® BLINDS

4-PANEL • 5-PANEL • 6-PANEL

REGISTER YOUR BLIND



REGISTER YOUR BOONER BLIND:

maverickhunting.com/blind-warranty-registration

All Booner® blinds are warranted to be free from manufacturing and workmanship defects for as long as the original owner owns the product up to 2 years from the original date of purchase. This warranty does not include hardware or windows, only the blind itself.

Warranted blinds will be repaired or replaced, at Maverick® Hunting’s discretion. Shipping charges may apply.

Failures due to misuse, abuse, normal wear and tear, and/or improper installation & storage are not covered by this warranty. In addition, failures due to storms, high winds, floods or other acts of God are not covered by this warranty. Maverick® Hunting shall not be responsible for any incidental or consequential damages.

Blinds must be registered in order to be covered by the 2-year limited warranty. Proof of purchase will be required when registering your blind(s).

SUPPORT

Contact support@maverickhunting.com or give us a call at 920-965-8397. Our team is always here and happy to help you with any questions you may have.

DO NOT RETURN TO RETAILER!

If there are any missing or broken components please contact the manufacturer, Maverick Hunting®, at support@maverickhunting.com or 920-965-8397. Please be ready to describe the blind model and the specific components.

LOVE YOUR BLIND?

Follow us on social media at @MaverickHunting, post your blind setup, submit your story, and leave us a review on MaverickHunting.com

PARTS & PIECES

Tips to ensure your Booner Blind is around for a long time:

- + Protect your blind from the wind by staking it to the ground or bolting it to a platform through the flange. We recommend stakes or wood screws.
- + When operating a firearm from inside the blind, be sure the barrel is outside the window for your safety and protection.

Parts Needed to Assemble Your Booner Blind:

Part	4-Panel	5-Panel			6-Panel		
		HW	DUAL	VW	HW	DUAL	VW
Door Panel	1	1	1	1	1	1	1
Side Panels	3	4	4	4	5	5	5
Roof Panels	1	2	2	2	4	4	4
Roof Support	0	0	0	0	2	2	2
Roof Cap Kit	0	0	0	0	1	1	1
Plexiglass Windows	4	5	7	9	6	9	11
Window Hinges (with screws/nuts)	4	10	14	18	12	18	22
Window Clips (with screws)	2	15	21	27	18	27	33
Window Seal Roll	1	1	1	2	2	2	2
1" Bolts with Nuts	36	60	60	60	68	68	68
Door Handle Kits	2	2	2	2	2	2	2
Door Seal	1	1	1	1	1	1	1

Tools required for assembly:

- + Drill with 1/4" bit
- + 5/16", 7/16", 9/16" sockets
- + Phillips screwdriver
- + Small saw or utility knife
- + Tin Snips

PRO TIP: Install your windows and window hardware before taking your blind into the field to avoid losing small hardware

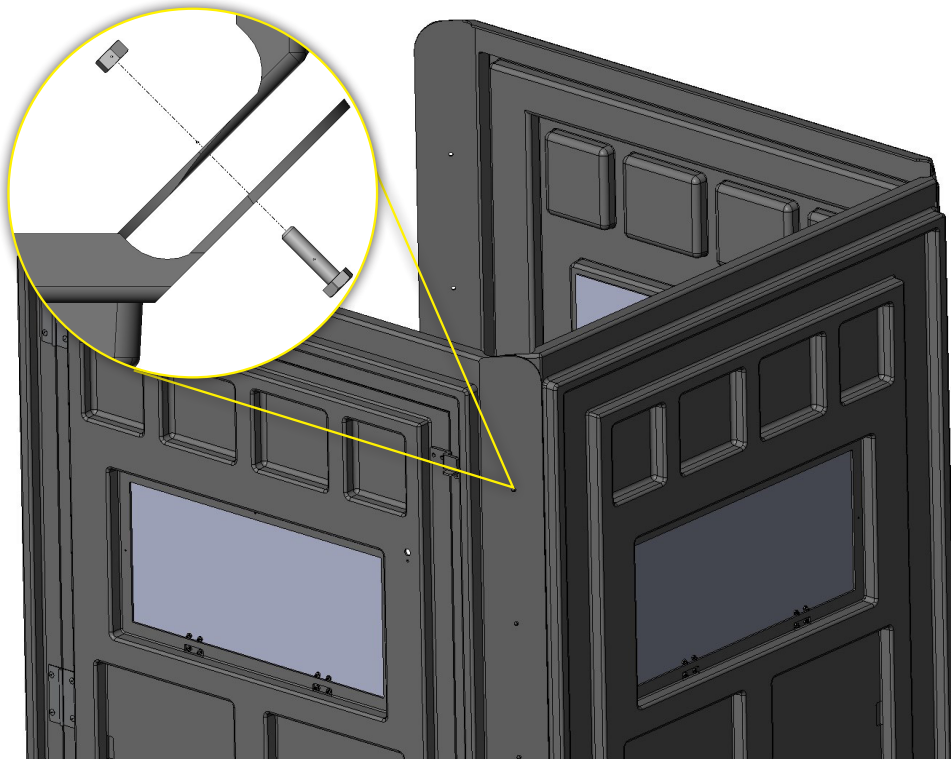
ASSEMBLING THE SIDE PANELS

Assembling the Side Panels

Step 1: Stand the door panel up and a side panel on either side of the door; align them so the pre-drilled holes on each flange are lined up.

Step 2: Fasten together using 1" Bolts through pre-drilled holes and tighten nuts with a 7/16" socket.

Step 3: Repeat the above process for the remaining panels.



INSTALLING THE DOOR

DO THIS AFTER ALL SIDE PANELS HAVE BEEN ASSEMBLED

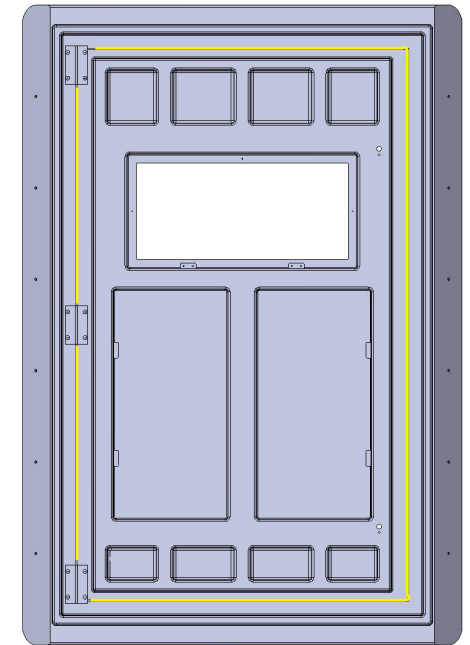
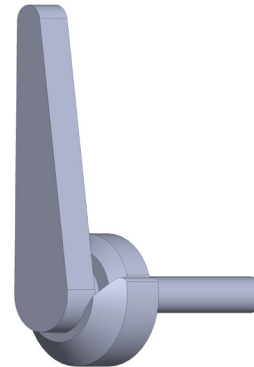
Installing the Door Hardware

Step 1: Cut the remaining tabs out of the door using a small saw or knife.

Step 2: Slide the door seal on to the top, side, and bottom of the door frame.

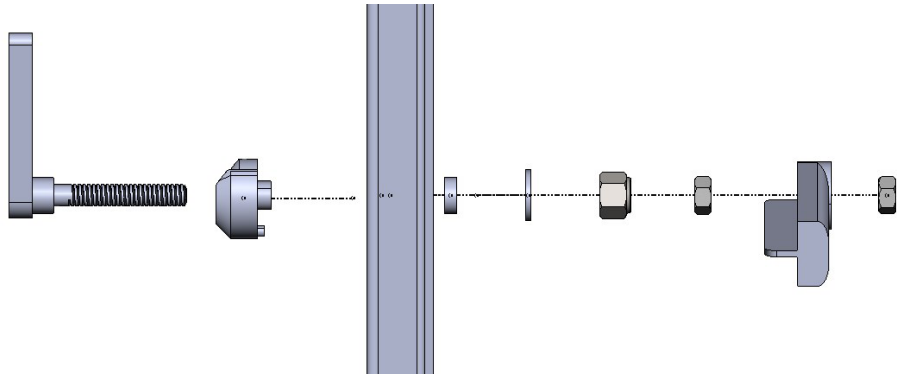
- + Trim the remaining seal piece to fit between the door hinges
- + You may have to push or tap the seals on

Step 3: Install the collar on the door handle; make sure the small nipple on the collar is on the bottom side when attached to the handle, with the handle in a vertical position.



Step 4: From outside the blind, slide the threaded stud of the handle through the pre-drilled hole with the handle in a vertical position; the collar should sit in the large and small pre-drilled holes.

INSTALLING THE DOOR



Step 5: Slide the Spacer then the washer onto the threaded stud.

Step 6: Take the nylon lock nut and tighten it down on the stud; do not overtighten.

- + Make sure the door handle collar is seated into the two pre-drilled holes so it doesn't spin

Step 7: Inside the door, add the first regular nut and slide the handle on in the "closed" position; then fasten the last nut onto the bolt.

- + Adjust the last two nuts to sandwich the inside handle where you want it based on how tight you'd like the door to close
- + A good starting point is having the nut flush with the end of the threaded stud
- + **NOTE:** Once fully assembled, you may need to lift the door off the support slightly to use the door

INSTALLING THE WINDOWS

Installing the Windows

Step 1: Peel off the protective wrap and install hinges into the pre-drilled holes in each of the plexiglass windows. The hinge pins and screw heads should be inside the blind. Tighten nuts be had or with a 5/16" socket.

DO NOT overtighten the hinges to the plexiglass; this can cause the window to crack

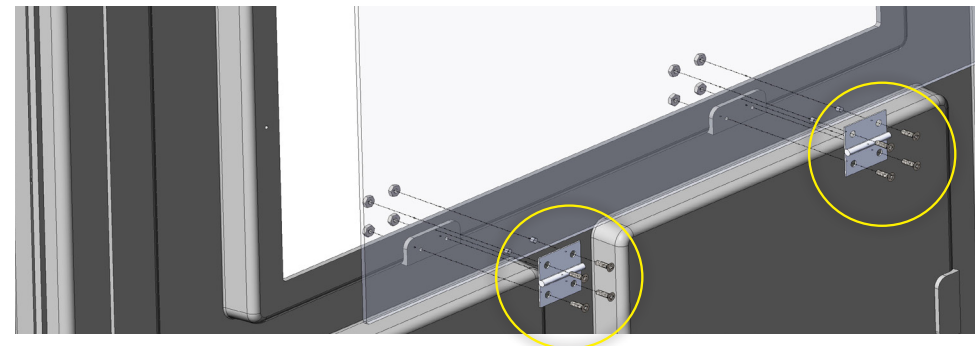
DO NOT use Loctite

Step 2: Fit window seal to Plexiglas Window and cut to fit. Apply it to the outer edge of each window; gradually peel the white backing off as you make your way around the window, applying some tension; stay as close to the edge of the window as possible while making sure it is fully on the window.

Step 3: From inside the blind, mount window hinges into the pre-drilled holes at the bottom of each blind window; if your window doesn't open fully, make sure the screw heads and hinge pins are inside the blind.

Step 4: Still from inside the blind, use machine screws to mount three window clips per window into pre-drilled holes (no nut needed).

DO NOT overtighten, adjust to your preference



INSTALLING THE ROOF

PG 9 | Installing the 4-Panel Roof

4-PANEL	Parts	Quantity
	Roof Panel	1
	1" Bolts with Nuts	12

PG 10-11 | Installing the 5-Panel Roof

5-PANEL	Parts	Quantity
	Roof Panels	2
	Roof Cap	1
	Metal Support Brackets	1
1" Bolts with Nuts	21	

PG 12-14 | Installing the 6-Panel Roof

6-PANEL	Parts	Quantity
	Roof Panels	4
	Roof Cap	1
	Metal Support Brackets	2
	1" Bolts with Nuts	36
Cardboard Box	1	

FOR AREAS THAT RECIEVE SNOW

Prevent a winter roof collapse by standing a 2x4 board up in the middle of the blind from the floor to the point in the roof. (Pictured on page 15)

4-PANEL ROOF

4-Panel Specific Instructions (Part 1/1)

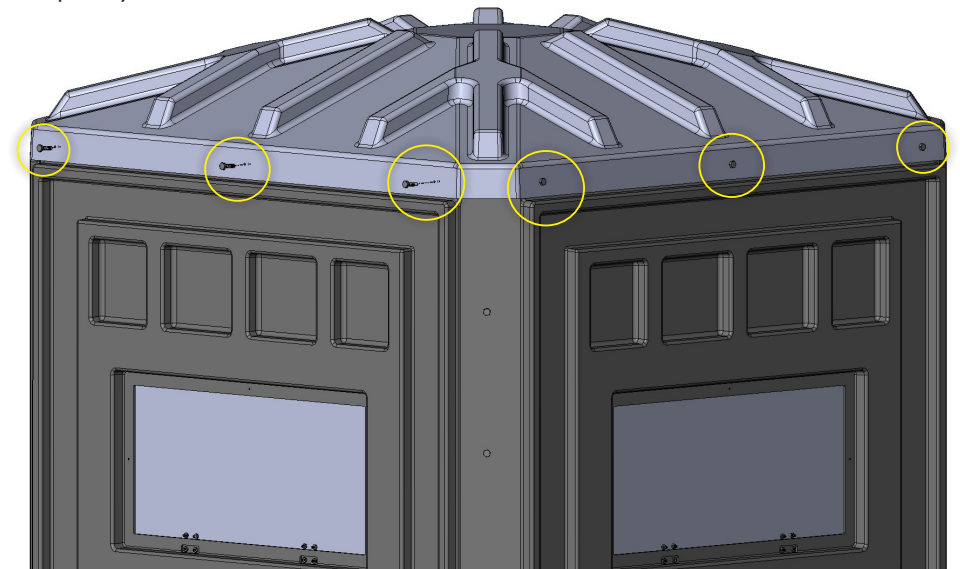
Installing the 4-Panel Roof

Step 1: Check to make sure you have the correct parts and hardware.

Step 2: Set roof on top of side panels so the rain guard overlaps the side panels and sits down to roughly the first rib at the top of the side panels.

Step 3: One side at a time, drill through the center dimple on each side of the rain guard and fasten a 1" bolt in those holes; do not tighten down completely yet.

Step 4: After you have one bolt on each side, tighten them and work yourself around the blind to drill holes through the remaining dimples and bolt down the roof completely.



FOR AREAS THAT RECIEVE SNOW

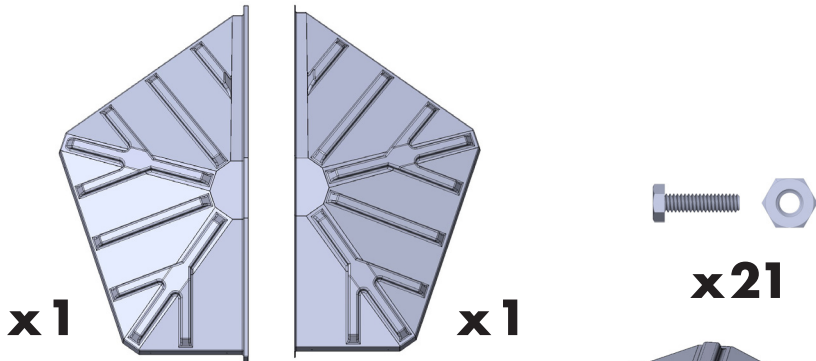
Prevent a winter roof collapse by standing a 2x4 board up in the middle of the blind from the floor to the point in the roof. (Pictured on page 15)

5-PANEL ROOF

5-Panel Specific Instructions (Part 1/2)

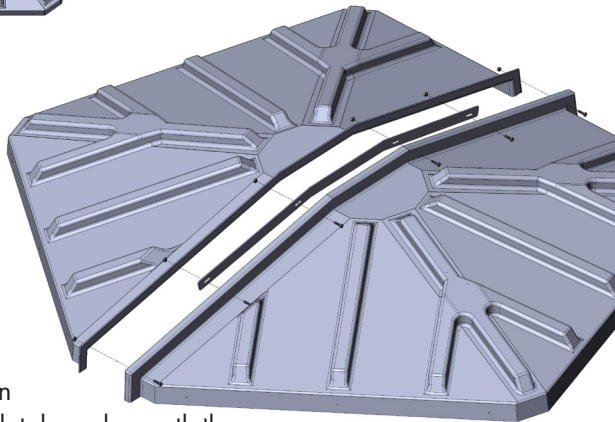
Installing the 5-Panel Roof

Step 1: Check to make sure you have the correct parts and hardware.



Step 2: Bolt the two roof panels together using 1" bolts through predrilled holes

- + Assemble on a flat surface
- + Make sure the flat flange side is even on both ends and completely underneath the rain guard side before bolting together. Start bolting from the ends and work your way towards the middle.



Step 3: Set the roof on top of side panels so the rain guard overlaps the sides and sits down to roughly the first rib at the top of the side panels.

FOR AREAS THAT RECIEVE SNOW

Prevent a winter roof collapse by standing a 2x4 board up in the middle of the blind from the floor to the point in the roof. (Pictured on page 15)

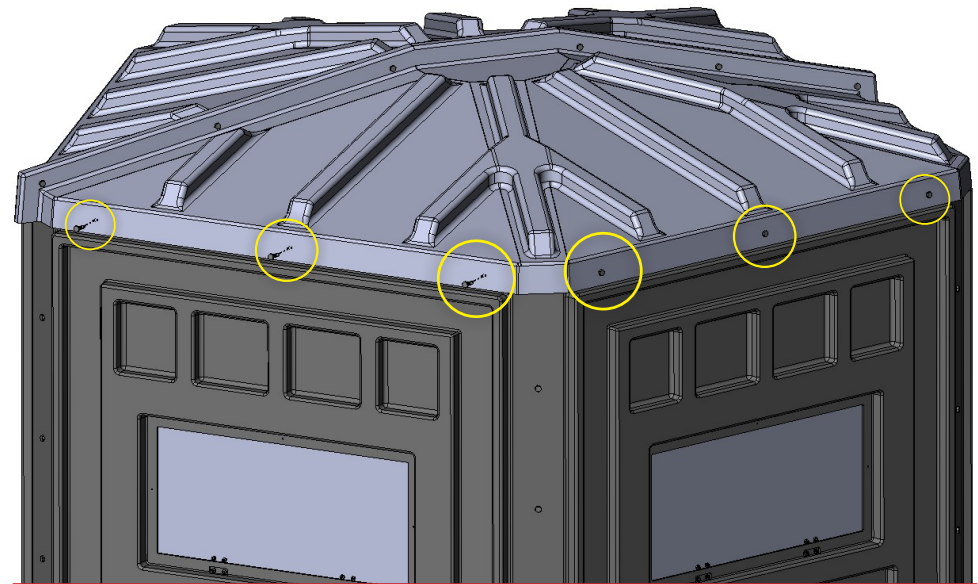
5-PANEL ROOF

5-Panel Specific Instructions (Part 2/2)

Step 4: One side at a time, drill through the center dimple through to the top wall flange and on fasten one 1" bolt in those holes.

- + Thread through but do not tighten down completely yet

Step 5: After you have one bolt on each side, tighten them and work yourself around the blind to drill holes through the remaining dimples and bolt down the roof completely.



FOR AREAS THAT RECIEVE SNOW

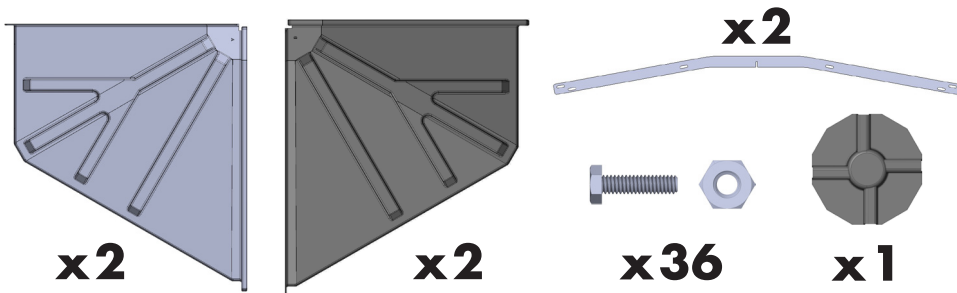
Prevent a winter roof collapse by standing a 2x4 board up in the middle of the blind from the floor to the point in the roof. (Pictured on page 15)

6-PANEL ROOF

6-Panel Specific Instructions (Part 1/4)

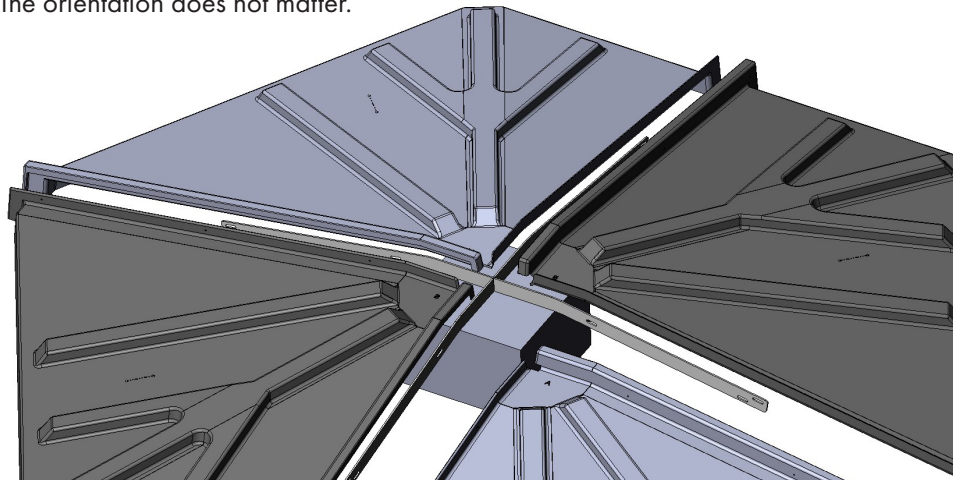
Installing the 6-Panel Roof

Step 1: Check to make sure you have the correct parts and hardware.



Step 2: Build the provided cardboard box and place in the center of all four pieces.

Step 3: Place the Metal Support Brackets in the middle of all four pieces. The orientation does not matter.



FOR AREAS THAT RECIEVE SNOW

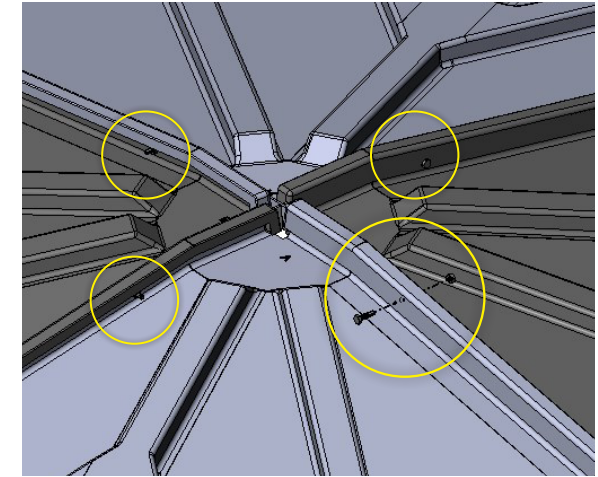
Prevent a winter roof collapse by standing a 2x4 board up in the middle of the blind from the floor to the point in the roof. (Pictured on page 15)

6-PANEL ROOF

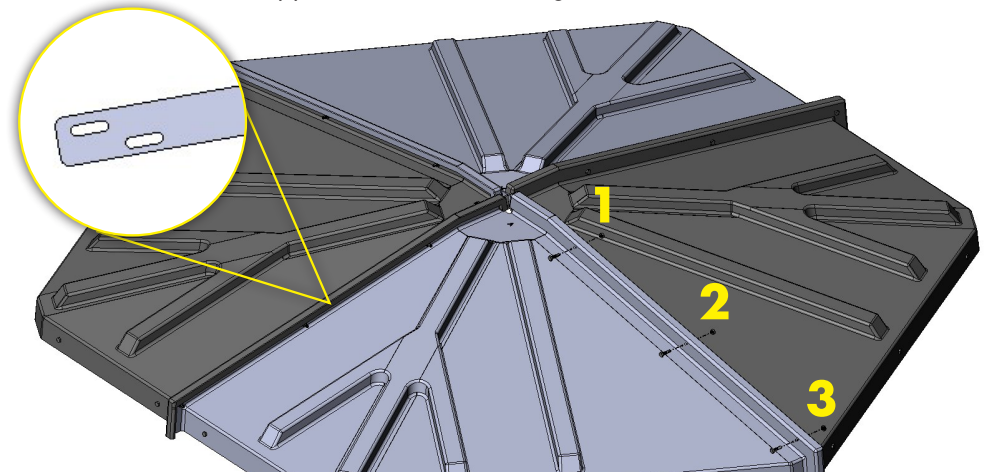
6-Panel Specific Instructions (Part 1/4)

Step 4: Bolt through the top hole of each side. Be sure Bolt goes through the rain guard, metal support bracket, and through the other side of the rain guard.

Step 5: Work your way around the roof bolting through each top hole, then middle hole, then bottom hole.



+ When you are bolting the middle hole, you will see two different holes in the metal support bracket. Bolt through the hole that fits best.



FOR AREAS THAT RECIEVE SNOW

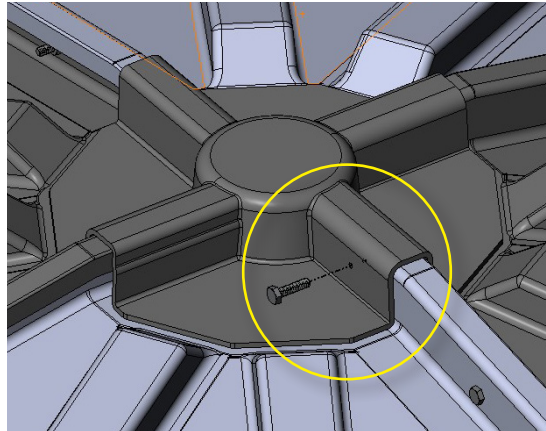
Prevent a winter roof collapse by standing a 2x4 board up in the middle of the blind from the floor to the point in the roof. (Pictured on page 15)

6-PANEL ROOF

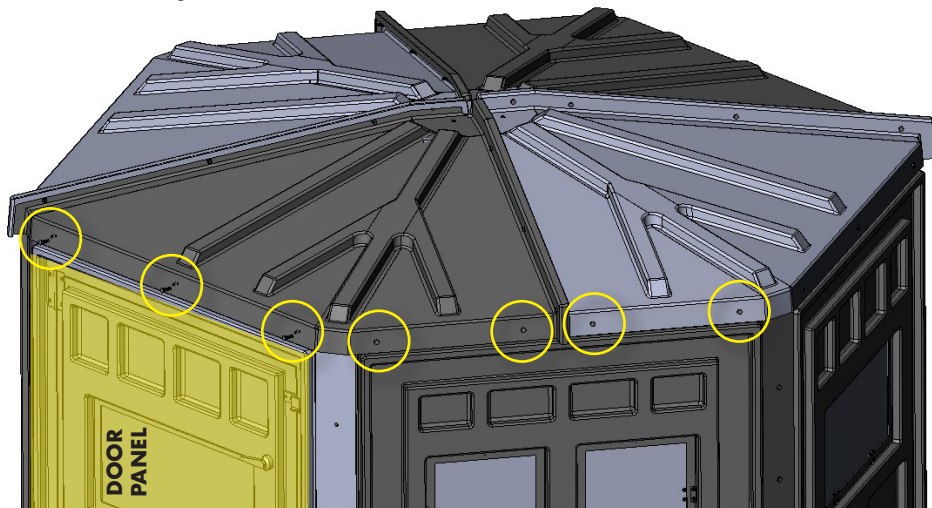
6-Panel Specific Instructions (Part 3/4)

Step 6: Place Roof Cap on the peak of the roof. Apply slight pressure to make sure cap is fit snug and screw through the pilot hole indicators.

- + Be sure to screw through metal bracket
- + Repeat process all the way around roof cap



Step 8: You now have a completed 6-Panel Roof. Place roof on top of your constructed wall panels. Be sure the section of roof above the door is flat and does not have a rain guard in the middle.



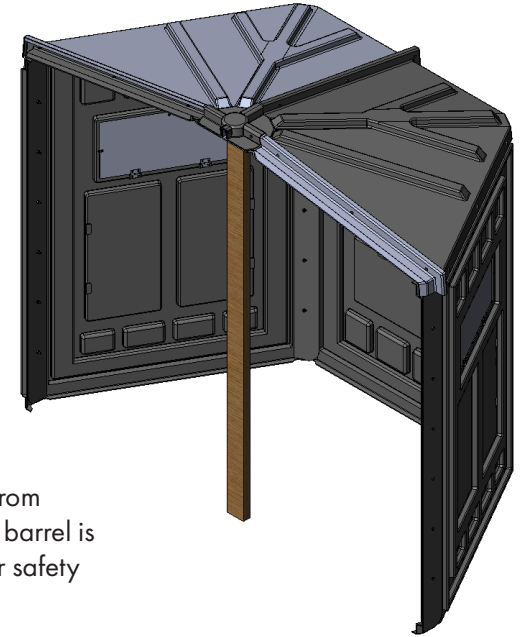
FOR AREAS THAT RECIEVE SNOW

Prevent a winter roof collapse by standing a 2x4 board up in the middle of the blind from the floor to the point in the roof. (Pictured on page 15)

AFTER ASSEMBLY

IMPORTANT REMINDERS

- + Protect your blind from the wind by staking it to the ground or bolting it to a platform through the flange.
- + **In areas that receive snow, prevent a winter roof collapse by standing a 2x4 board up in the middle of the blind from the floor to the point in the roof.**
- + When operating a firearm from inside the blind, be sure the barrel is outside the window for your safety and protection.
- + **Register your blind to ensure warranty coverage.**



WAYS TO MAKE IT YOUR OWN

- + Camouflage your blind in no time using our Hunting Blind Stencil Kit.
- + Elevate your blind with our Nex-Level Platforms and Mounts.
- + Add accessories like a bow or gun holder to keep your weapons close and easy to access.

LOVE YOUR SETUP?

Follow us on social media at @MaverickHunting, post your blind setup, submit your story, and leave us a review on MaverickHunting.com



YOUR HUNT. YOUR WAY. YOUR STORY.
maverickhunting.com/share-your-story



BOONER BLINDS

BY  MAVERICK™

